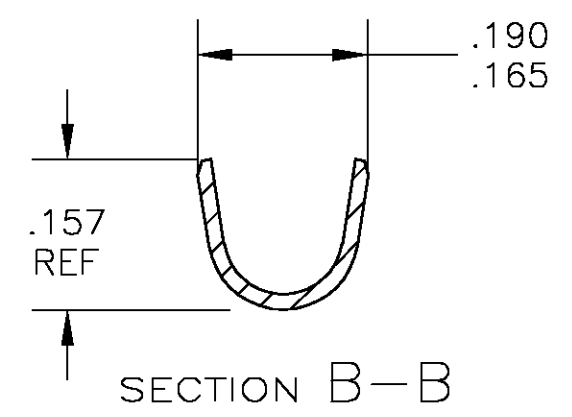
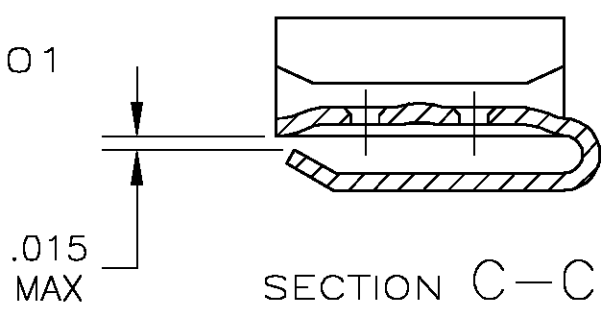
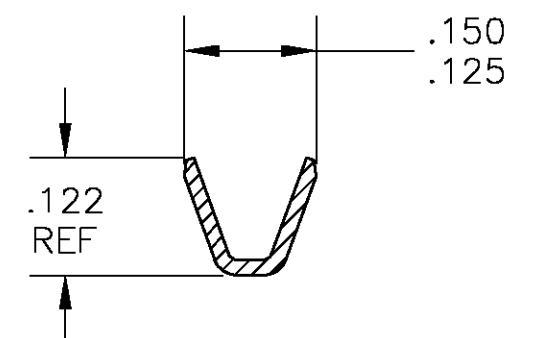
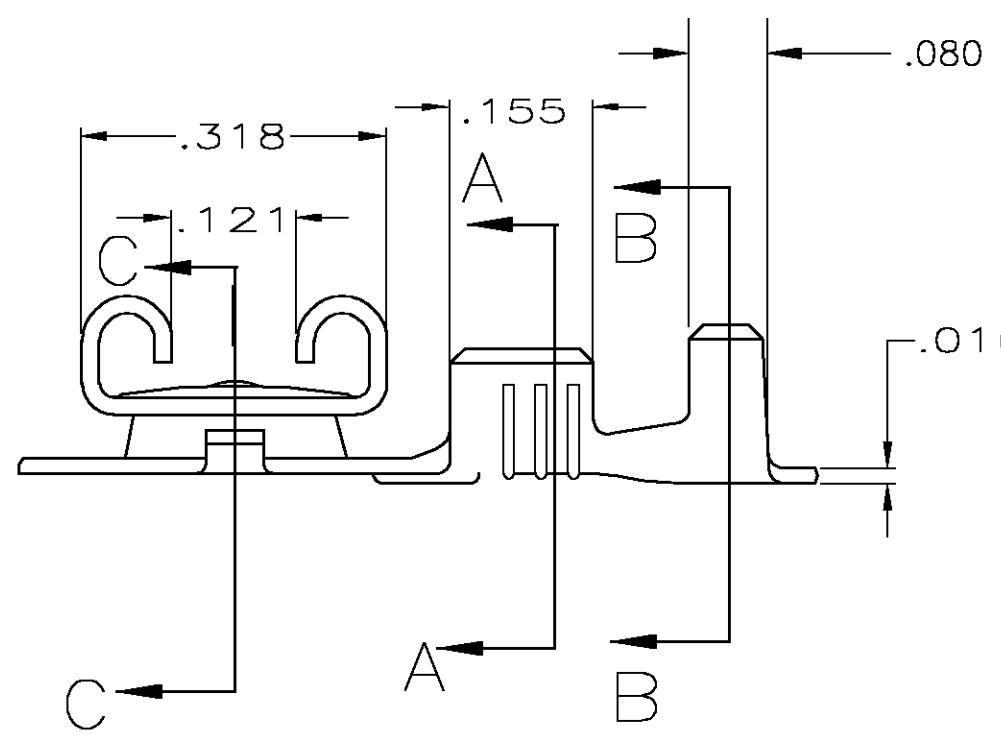
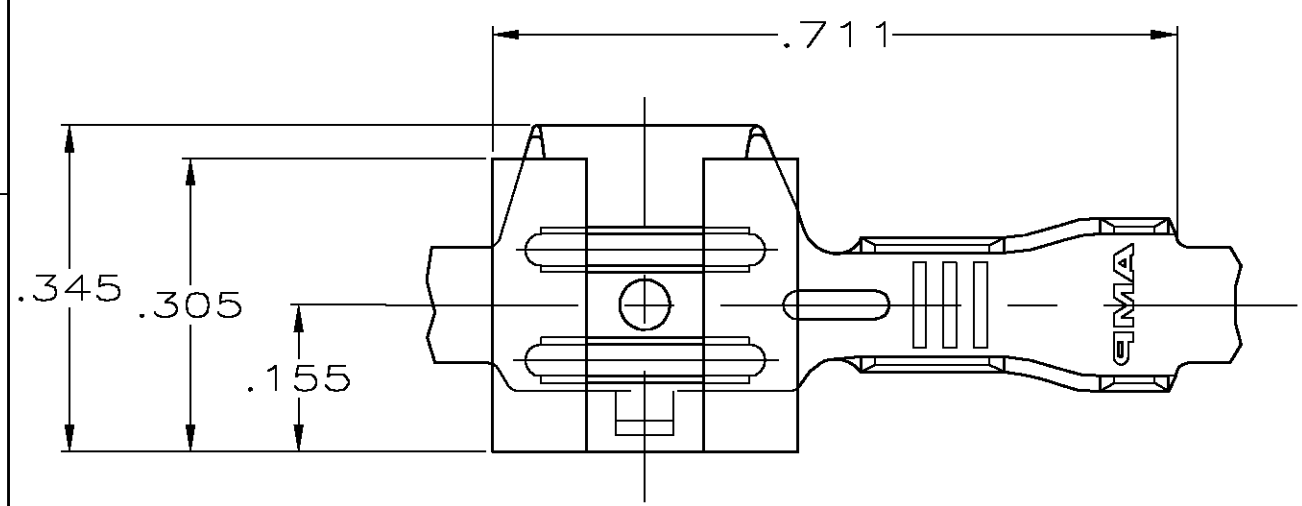


THIS DRAWING IS UNPUBLISHED. RELEASED FOR PUBLICATION  
 © COPYRIGHT BY TYCO ELECTRONICS CORPORATION. ALL RIGHTS RESERVED.

LOC	DIST	REVISIONS			
P	LTR	DESCRIPTION	DATE	DWN	APVD
AF	50	C	REV PER 0G3A-0164-03	20MAR03	RF PD

- 1 CONTINUOUS STRIP ON REELS.
- 2 WIRE SIZE IS FOR #22-#16 AWG
- 3 INSULATION RANGE IS .090-.130 DIA.
- 4 MATING TAB THK IS .032±.001



1217904-1  
PART NO.

THIS DRAWING IS A CONTROLLED DOCUMENT.		DWN JR RUTH 05DEC02	Tyco Electronics Corporation Harrisburg, PA 17105														
DIMENSIONS: INCHES		CHK D DECKER 05DEC02															
TOLERANCES UNLESS OTHERWISE SPECIFIED:		APVD D DECKER 05DEC02	NAME RECEPTACLE, FASTON, FLAG, REVERSIBLE, .250 SERIES														
<table border="0"> <tr><td>0 PLC</td><td>± -</td></tr> <tr><td>1 PLC</td><td>± -</td></tr> <tr><td>2 PLC</td><td>± -</td></tr> <tr><td>3 PLC</td><td>± .010</td></tr> <tr><td>4 PLC</td><td>± -</td></tr> <tr><td>ANGLES</td><td>± -</td></tr> </table>		0 PLC	± -	1 PLC	± -	2 PLC	± -	3 PLC	± .010	4 PLC	± -	ANGLES	± -	PRODUCT SPEC -	SIZE A3		
0 PLC	± -																
1 PLC	± -																
2 PLC	± -																
3 PLC	± .010																
4 PLC	± -																
ANGLES	± -																
MATERIAL H04 BRASS		FINISH -	APPLICATION SPEC -	CAGE CODE 00779	DRAWING NO C-1217904												
CUSTOMER DRAWING			WEIGHT -	RESTRICTED TO -	SCALE 5:1												
			SHEET 1 OF 1		REV C												